



Atlantic®



Product Manual | Manuel du Produit | Manual del Producto



CCCS2 / CCCS4 / CCRL5 / CCHL6 / CCHL12 / CCFL2 /
CCSL2 / CCBL5 / CCSM30X3 /
TRANS88 / TRANS150

1.330.274.8317

www.ATLANTICWATERGARDENS.com

Introduction

Thank you for purchasing Atlantic Color Changing Lighting. Atlantic's Lighting features solid brass bodies with an oil-rubbed bronze finish or high-impact plastic housings. These Lights create a vibrant nighttime atmosphere with a near unlimited number of colors with the InfiColor Smart Module. Multiple fixtures can be connected to a single Smart Module and controlled via mobile application on your Apple or Android device.

Prior to Operation and Installation

Caution:

- DO NOT operate this product under any conditions other than those for which it is specified. Failure to observe these precautions can lead to electrical shock, product failure, or other problems.
- Follow all electrical codes when installing Atlantic Lighting.
- To reduce the risk of electrical shock, connect transformer to a 120 volt receptacle protected by a ground fault circuit interrupter (GFCI).
- Quick-connect plugs are gasketed for outdoor use and must be fully tightened to prevent water infiltration. Quick-connect plugs are not waterproof and should not be submersed.
- Always use dielectric grease on all connections and verify that the lens ring is tightly secured before submersing the fixture.
- Never shorten or cut the cord on Atlantic Color Changing Lights. Removing the driver or cutting/shortening the cord will damage the LED and void the warranty.
- Extension cords (model #CCEXT20) are available to add an additional 20' of cord to any Light.
- The InfiColor Smart Module is weatherproof, but must be mounted above the ground on a wall or post within reach of a properly grounded GFCI outlet. Do not submerge the Control Module or expose it to heavy rainfall. Failure to do so will void the warranty.
- The InfiColor Smart Module can be connected to an existing 12 volt AC lighting system by cutting and splicing the flat low voltage wire that supplies power to the Module.

COMPACT SPOTLIGHTS - CCCS2 / CCCS4

Installation

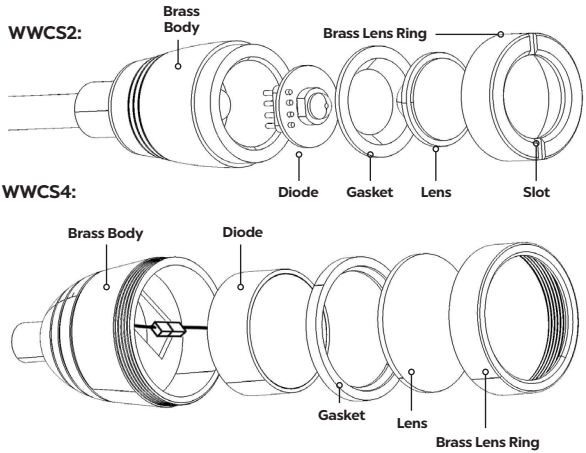
Compact Spotlights offer three different mounting options for your convenience:

- **Adjustable stand:** for placement on rock ledges, under waterfalls or for highlighting streambeds
- **Ground stake:** for installation around the perimeter of the water feature or in conventional landscape installations
- **Nestled:** without the stand or stake, amongst the stones and gravel

Proper light placement is important for every project. Whenever possible, lights should be positioned facing away from the viewing area to minimize glare and hot spots. When camouflaging the light cord with rocks and gravel, always leave enough slack in the cord so that the fixture can be raised above water level for servicing.

Maintenance

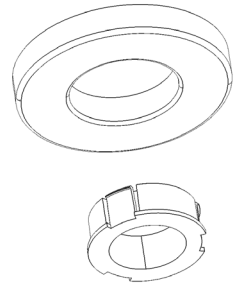
Replacement diode, gasket and lens kits are available for Compact Spotlights. Unplug the fixture. Loosen the brass lens ring. Remove lens ring, lens and gasket. Carefully remove the diode assembly and replace. Install new silicone gasket and lens and reassemble. Ensure that all components are installed correctly after servicing and the lens ring is tightly secured before submersing the fixture.



LIGHT RING - CCRL5

Installation

The Ring Light is ideal for illuminating bubbling pots, fountains and uplighting waterfalls. The brass body accommodates 1/2" standpipes. With the bushing installed, the hole in the center of the light accommodates 1" standpipes. Simply slide the Ring Light over the standpipe to illuminate the interior of an overflowing vase or fountain. Remove the center bushing to accommodate 1/2" standpipes. The Ring Light's minimal 1/2" profile makes it ideal for uplighting waterfalls and large trees.



SPOUT LIGHT - CCSL2

Installation

The Spout Light can be installed in the plumbing behind a wall, shining through a Wall Spout (see Figure 1) or under a core-drilled stone or pot (see Figure 2). The light is designed to be installed in any tee that has 1" female threads. If the tee is larger than 1", a reducing bushing with 1" female threads will be needed. Install the light into the tee, with the light facing the water outlet. Apply Teflon tape, paste or RTV silicone to the threads of the light and thread the light into the fitting. Do not use the cord to twist in the light or allow it to become twisted when tightening. The spout light cannot transmit light through sweeps or around corners. There must be a direct path for the light to be transmitted. The use of rigid PVC plumbing (1" diameter or greater) is highly recommended for the best results.

Figure 1.

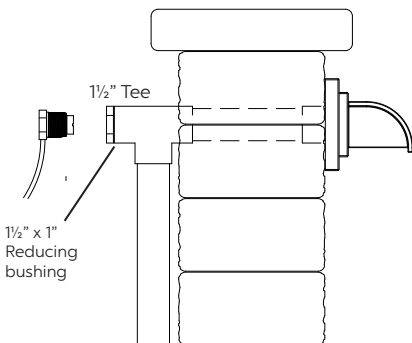
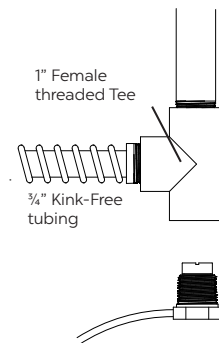
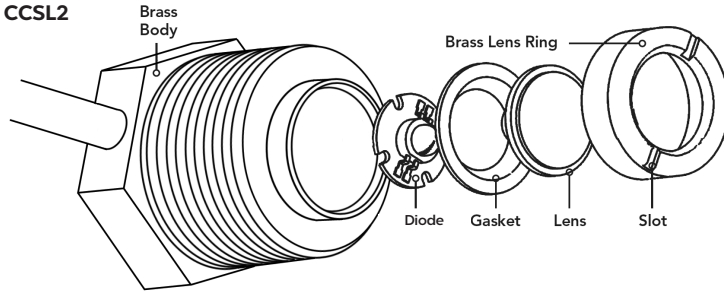


Figure 2.



Maintenance

Replacement diode, gasket and lens kits are available for Spout Lights. Unplug the fixture. Loosen the brass lens ring. Remove lens ring, lens and gasket. Carefully remove the diode assembly and replace. Install new silicone gasket and lens and reassemble. Ensure that all components are installed correctly after servicing and the lens ring is tightly secured before submersing the fixture.



HARDSCAPE LIGHTS - CCHL6 / CCHL12

Installation

Hardscape Lights are designed to be installed into walls and columns, just under capstones. The diode assembly can be replaced without removing the cord or the capstone. The round 18" long cord between the driver and the luminaire cannot be cut, and some accommodation must be made for the driver in most applications. We recommend installing a 1" conduit into the wall to accommodate the cord before installing the fixtures.

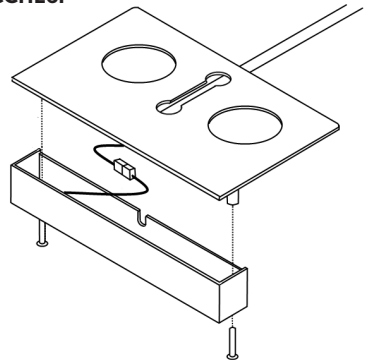
When installing the mounting bracket, make sure the stone above the bracket does not rock or pinch the cord. The holes in the bracket serve as glue points to hold the bracket in place.

NOTE: Hardscape Lights are not submersible.

Maintenance

Replacement diode assemblies are available for Hardscape Lights. Remove the screws on the existing light, being careful not to let the diode assembly fall, as this could break the plug connecting the light to the cord. Lower the diode assembly and squeeze the locking clip to separate the plugs. Plug in the new diode assembly, making sure the gasket has not moved or shifted and that the notched edge of the diode assembly fits between the two ridges on the cord gasket. Align the screw holes and hand tighten the screws.

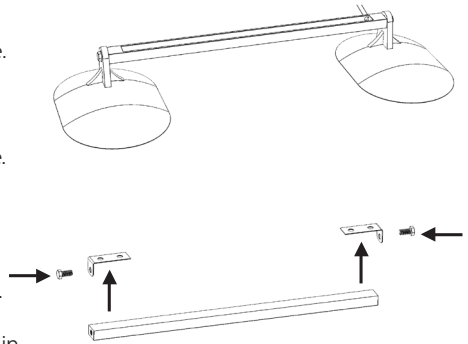
CCHL6:



BAR LIGHT - CCBL5

Installation

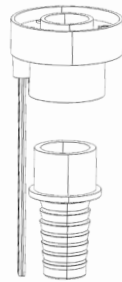
The Bar Light is a linear light designed to wash walls, falls and spillways with a wide beam angle. Solid brass Bar Light includes dual bases for positioning on any horizontal surface. For other applications, included stainless steel L-brackets may be used to mount Light to any hard surface. Mount the brackets to the light and measure between the holes, center to center. Detach the brackets from the light. Mark where the light is to be mounted and attach the brackets to the mounting surface using an appropriate fastener. Mount the light to the brackets. The mounted Light rotates 30° in either direction for versatility in directing illumination.



FOUNTAIN LIGHT - CCFL2

Installation

Atlantic's epoxy encased Fountain Light illuminates water inside vases, basalt and bubbling boulders. The PVC body with bottom mounted cord fits inside 1½" socket fittings and 2" bore holes. Glue the ¾" slip x ¾" barbed fitting, included, to attach ¾" Kink-Free tubing directly to Fountain Light. Without the fitting, the light mounts directly onto ¾" rigid Sch40 PVC.

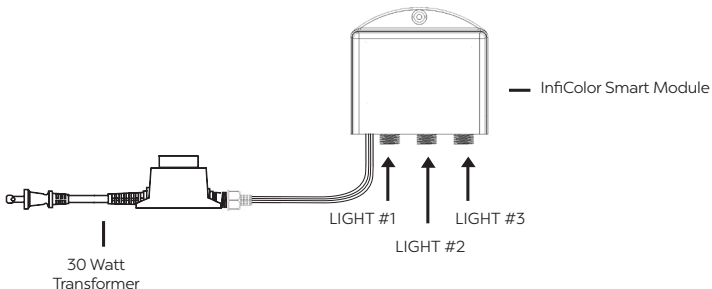


WIRING KITS - CCSM30X3

All Color Changing LED lights and wiring components are connected via a quick-connect plug. Color Changing LED Lights will not operate if plugs are aligned incorrectly. The connectors are keyed to ensure the connections line up properly. Color Changing quick-connect plugs carry both AC and DC current to the in-line driver. Moisture entering the connections will allow the AC and DC current to cross which can damage the lighting system.

Quick-connect plugs are gasketed for outdoor use and must be fully tightened to prevent water infiltration. Quick-connect plugs are not waterproof and should not be submersed. Dielectric grease is included and should be used in all connections to eliminate water infiltration.

The CCSM30X3 wiring kit enables up to three Color Changing lights (any models) to be installed together and controlled by a single transformer, Smart Module and App. The transformer must be plugged into a properly grounded GFCI outlet. Please follow the connection diagram below for proper installation.



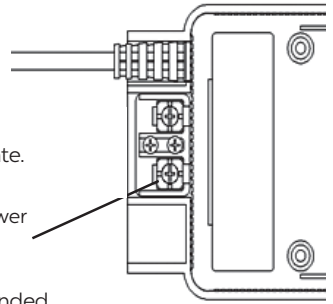
TRANSFORMERS - TRANS88 / TRANS150

Installation

Strip and connect the wires to the outlet power terminals on the back of the transformer. Loosen the screws on the outlet power terminals and slide the wire under the screw plate. Tighten the screws to secure the wire.

Mount the Transformer in the desired location. The Transformer is weather-resistant and must be mounted above the ground on a wall or post. Ensure that the power cord is within reach of a properly grounded Ground Fault Circuit Interrupter (GFCI) equipped outlet.

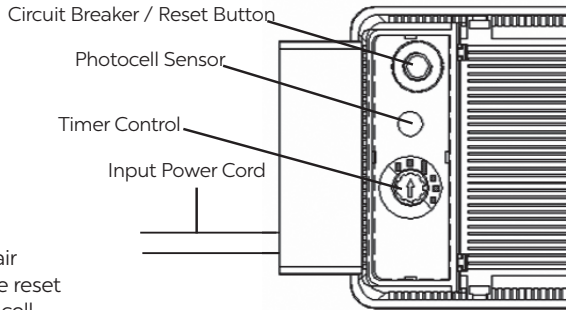
After all connections to low voltage lights have been completed, plug the input power cord into the 120 volt GFCI outlet to complete installation.



Operation

The TRANS88 and TRANS150 have a control panel featuring a rotary timer control switch, photocell and circuit breaker/reset button.

The circuit breaker will turn off power to the lighting system in case of overload/power surge. If the circuit is tripped, inspect/repair the lighting system and depress the reset button to restore power. The photocell automatically turns the transformer on when it begins to get dark outside. The photocell does not need to be in direct sunlight; however it must have access to indirect sunlight to operate effectively. The timer switch provides several modes of operation. You can choose OFF, ON, AUTO, 4H, 6H, or 8H.



OFF: Output power is off / system is off

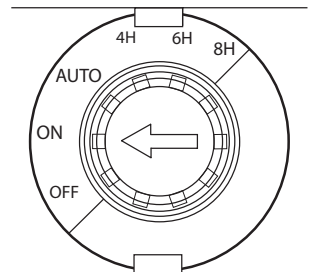
ON: Output power is on / system is on at all times

AUTO: Photo cell will turn the output power on at dusk and off at dawn

4H: Photo cell will turn the output power on at dusk and it will turn off after 4 hours

6H: Photo cell will turn the output power on at dusk and it will turn off after 6 hours

8H: Photo cell will turn the output power on at dusk and it will turn off after 8 hours



INFCOLOR SMART MODULE

Installation

The InfiColor Smart Module is weatherproof, but must be mounted above the ground on a wall or post within reach of a properly grounded GFCI outlet. Do not submerge the Control Module or expose it to heavy rainfall.

- Install the Module in a well-ventilated area to ensure that the module operates within its specified working temperature.
- Verify that the Smart Module input voltage is 12 volt AC. We recommend that you use the transformer provided with this unit.

- Use dielectric grease on all connections and ensure that all cable connections are secure.
- Do not connect the power before the cord connections are finished.
- Do not cut or alter any round cords. Cutting or damaging any round cord will void the warranty.

CONNECTING LIGHTING TO MODULES

All Atlantic Color Changing Lighting is fully forward and backward compatible. The InfiColor Smart Module includes adapters to connect to any SOL Color Changing light. New Color Changing lights include an adapter to connect to SOL Color Changing Control Modules, Extensions and Splitters.

Apply dielectric grease, included with the InfiColor Smart Module and all new lights, to the pins of the plugs on the Module and light cords. Line up the keys; the plugs will only fit one way. Connect the plugs to the adapter and tighten the threaded ring. Complete the tightening process by wiggling the connection and retightening the threaded ring 2-3 times until firmly seated.



HOW TO CALCULATE WATTAGES & MAKE CUSTOM SETUPS

The InfiColor Smart Module provides 40 watts to each of three zones. The zones may be linked and synchronized as desired. Add up the wattage of each light, which can be found in the Catalog, the packaging, the instructions or the website, to find the total wattage of the group. The wattage shown is the highest wattage that the light will draw, rounded up to ensure Smart Module capacity is never exceeded.

There is also a limit to the length of any lighting run. The number of extension cords you can use consecutively depends on the total wattage of the zone.

If your total wattage is:

- 0-10 watts - 4 extension cords max
- 10-20 watts - 3 extension cords max
- 20-30 watts - 2 extension cords max
- 30-40 watts - 1 extension cord max

INFICOLOR MOBILE APP

To Configure Zone Names and Timers

Click dropdown menu. Edit the names of the control module outlets or zones on the “Zone Settings” page. These zone names will be visible throughout the app. Each zone has an individual timer function to turn the zone on and off at set times. Click the “Save” button to save changes. A box will come up confirming the settings have been saved. Click the “Back” button once configuration is complete.

Color Tab

Use the Color tab to choose colors for the different zones using either the color picker or the red, green and blue sliders at the bottom. Choose the brightness of the color by adjusting the slider. Select the color for each zone, or select multiple zones to change color at the same time.

Favorites Tab

The Favorites tab stores preset color changing sequences. Select one, two or all three zones. Choose a sequence of colors, then choose the transition between them, the speed of the sequence and the brightness. The Edit button deletes stored Favorites you have created.

Custom tab

The Custom tab creates and stores custom color changing sequences. Move the red, green and blue sliders to choose a color, or select it from the color picker. Once you have decided on the color, click the “Plus” button to add it to the sequence. Repeat as desired. Add up to 10 colors to a sequence. Once the sequence has been created it can be named and saved. The saved sequence will be available on the Favorites page.

Warranty

All Atlantic Color Changing Lighting carries a five-year limited warranty.

All Color Changing Wiring Components carry a five-year limited warranty.

Atlantic TRANS88 and TRANS150 carries a one-year limited warranty.

This limited warranty is extended solely to the original purchaser commencing from the date on the original purchase receipt and is void if any of the following apply:

- Any round cord has been cut or altered.
- The light body/LED components have been misused or abused.
- The light body/LED components have been disassembled or modified other than as described in this manual.
- The Smart Module and quick-connect plugs have not been adequately protected from moisture with dielectric grease.

This warranty excludes labor/cost of labor for removal or installation of any product.

Troubleshooting Guide

Always turn off power before inspecting the Color Changing Lights. Failure to observe this precaution can result in a serious accident.

Before ordering repairs, carefully read through this instruction booklet. If the problem persists, contact your dealer.

Problem	Possible Cause	Possible Solution
Lights will not turn on	No input power to the transformer	Verify power to the outlet is on / Check GFCI reset
	No outlet power from the transformer	Check the reset button / circuit breaker on the transformer Verify if the transformer is operational by moving the timer to the ON position Use a volt meter to verify transformer is producing 12 volt AC
	Photocell malfunction	Cover the photocell with a piece of dark tape to check function
Lights will not turn off	Timer control	Make sure timer control is not set to the ON position
	Photo cell is covered	Clean sensor and outer clear covering Make sure nothing is shading the sensor
LED color differs from app	Improper connection between LED light and Smart Module	Inspect connections / realign plugs
	Smart Module failure	Contact Dealer for repair / replacement
Individual lights within a larger system not working / displaying different colors	Improper connection to Splitter / Smart Module	Verify connections are aligned
	Defective 4-outlet Splitter	Switch positions with a working light on the same Splitter to identify if the splitter is causing the issue.
	Loose connection. Moisture or corrosion in connections	Inspect quick-connected plugs for moisture, corrosion or missing gasket. Clean/dry/apply dielectric grease and reassemble.
	Failed LED diode assembly	If possible, switch out the diode assembly with one from a working light of the same model to determine if the driver has failed. If driver has failed, replace light. If test diode works, replacement diode assemblies are available.
Smart Module is not responding to app	App is not synced with Smart Module	Reconnect Smart Module through Bluetooth
Lights intermittently responding to app	Loose connection. Moisture or corrosion in connections	Inspect quick-connected plugs for moisture or corrosion. Clean/dry/apply dielectric grease and reassemble.

Introduction

Merci d'avoir acheté l'Éclairage Changement de Couleurs Atlantic. L'éclairage d'Atlantic comprend des corps en laiton massif au fini bronze huilé ou en plastique résistant aux chocs. Ces luminaires fonctionnent sous l'eau et en plein air pour donner à votre jardin d'eau et à votre paysage une lueur apaisante et échauffante après le coucher du soleil. Plusieurs appareils peuvent être connectés à un seul InfiColor Smart Module.

Avant l'opération et l'installation

Mise en garde:

- NE PAS utiliser ce produit dans des conditions autres que celles pour lesquelles il est spécifié. Le non-respect de ces précautions peut entraîner un choc électrique, une défaillance du produit ou d'autres problèmes.
- Respectez tous les codes de l'électricité lors de l'installation d'Atlantic Lighting.
- Pour réduire le risque d'électrocution, connectez le transformateur à une prise de 120 volts protégée par un disjoncteur de fuite à la terre (GFCI).
- Vérifiez toujours que la bague de l'objectif est bien fixée avant de plonger l'appareil.
- Les luminaires LED se connectent via une fiche à connexion rapide, scellée pour une utilisation en extérieur. Les fiches à connexion rapide ne sont pas étanches et ne doivent pas être submergées.
- Toujours utiliser de la graisse diélectrique sur toutes les connexions.
- L'InfiColor Smart Module nécessite une source d'alimentation de 12V CA.
- Ne jamais raccourcir ou couper le cordon des Lumières à Changement de Couleur Atlantic. Le fait de retirer le driver ou de couper / raccourcir le cordon endommagerait la LED et d'annuler la garantie.
- Des rallonges (modèle # CCEXT20) sont disponibles pour ajouter 20'/6.1m de cordon supplémentaires à chaque lampe.
- L'InfiColor Smart Module est résistant aux intempéries, mais doit être monté au-dessus du sol sur un mur ou un poteau à la portée d'une prise GFCI correctement mise à la terre. N'immergez pas le module et ne l'exposez pas à de fortes précipitations. Dans le cas contraire, la garantie sera annulée.
- L'InfiColor Smart Module peut être connecté à un système d'éclairage alternatif 12 volts existant en coupant et épissant le fil plat basse tension alimentant le module.

LES PROJECTEURS COMPACTS - CCCS2 / CCCS4

Installation

Les Projecteurs Compacts offrent trois options de montage pour votre commodité:

- **Base réglable:** pour le placement sur les saillies rocheuses, sous les cascades ou pour mettre en évidence les lits de rivière.
- **Piquet de terre:** à installer autour du périmètre de la pièce d'eau ou dans des installations paysagères conventionnelles
- **Niché:** sans le support ou le pieu, parmi les pierres et le gravier

Un bon éclairage est important pour chaque projet. Dans la mesure du possible, les lampes doivent être orientées à l'opposé de la zone de visualisation afin de minimiser les reflets et les points chauds. Lorsque vous camouflez le cordon de lumière avec des cailloux et du gravier, laissez toujours suffisamment de mou dans le cordon pour permettre à l'appareil de monter au-dessus du niveau de l'eau pour le service.

Entretien

Des ensembles de diodes, joints et objectifs de rechange sont disponibles pour les Projecteurs Compacts. Débranchez le luminaire. Desserrez la bague en laiton.

Retirez la bague d'objectif, la lentille et le joint. Retirez délicatement la diode et remplacez-la. Installez le nouveau joint en silicone et la lentille et remontez-les. Assurez-vous que tous les composants sont correctement installés après l'entretien et que la bague de l'objectif est bien fixée avant de plonger l'appareil.

LE LUMINAIRE D'ANNEAU - CCRL5

Installation

Le Luminaire d'Anneau est idéale pour éclairer les pots bouillonnants, les fontaines et les cascades. Le corps en laiton peut accueillir des colonnes d'alimentation de 1/2". Lorsque la bague est installée, le trou au centre de la lumière peut accueillir des colonnes d'alimentation de 1". Il suffit de glisser le Luminaire d'Anneau sur la colonne montante pour éclairer l'intérieur d'un vase ou d'une fontaine débordant. Retirez la bague centrale pour accueillir les colonnes d'alimentation de 1/2". Le profil minimal de 5/8"/13mm du Luminaire d'Anneau le rend idéal pour illuminer les cascades et les grands arbres.

LE LUMINAIRE DE BEC MURAL - CCSL2

Installation

La Luminaire de Bec Mural peut être installé dans la plomberie derrière un mur, à travers un Bec Mural (Figure 1) ou sous une pierre foré ou un pot (Figure 2). La lampe est conçue pour être installée dans tout les raccords de "T" muni d'un filetage femelle de 1". Si la "T" est plus grand que 1", un raccord de réduction avec filetage femelle de 1" sera nécessaire. Installez la lumière dans la "T", avec la lumière tournée vers la sortie d'eau. Appliquez du ruban ou de la pâte de téflon, ou du silicone RTV sur les filets de la lumière et enflez le lumière dans le raccord. N'utilisez pas le cordon comme poignée lorsque vous serrez la lumière ou ne lui permettez pas de se tordre lors du serrage. La Luminaire de Bec ne peut pas transmettre la lumière par balayage ou autours des coins. Il doit y avoir un chemin direct pour que la lumière soit transmise. L'utilisation de tuyaux de plomberie en PVC rigide (1" diamètre ou plus) est fortement recommandée pour obtenir les meilleurs résultats.

Figure 1.

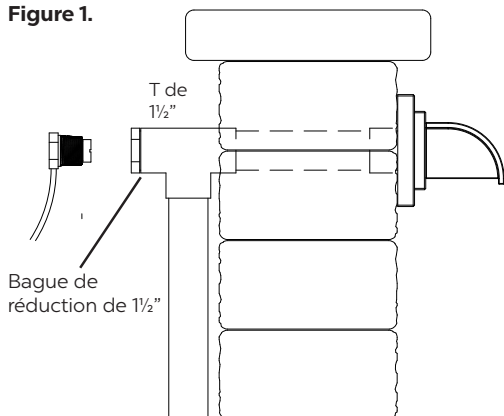
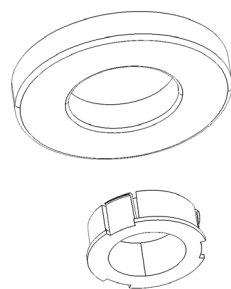
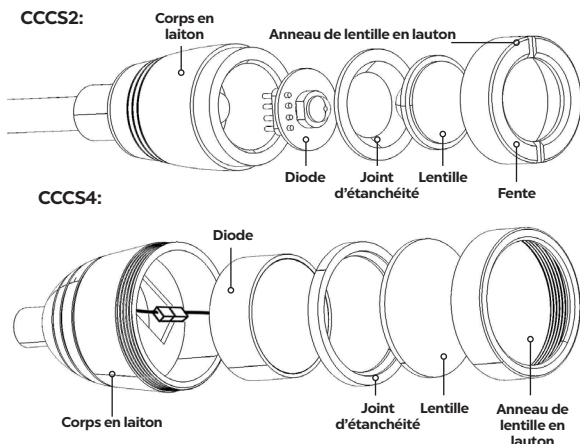
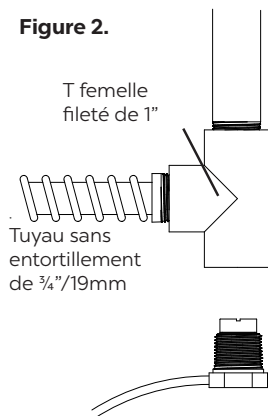
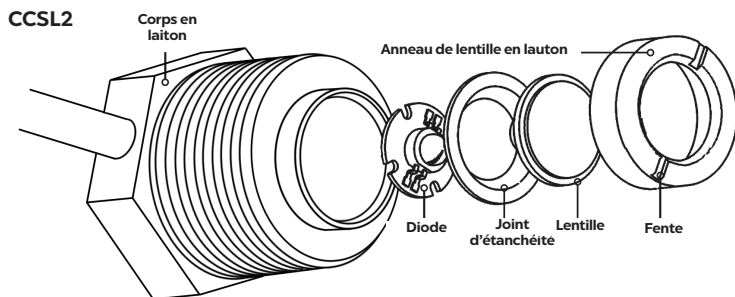


Figure 2.



Entretien

Des ensembles de diodes, joints et objectifs de rechange sont disponibles pour les Luminaires de Bec. Débranchez le luminaire. Desserrez la bague en laiton. Retirez la bague de la lentille, la lentille et le joint. Retirez délicatement la diode et remplacez-la. Installez le nouveau joint en silicone et la lentille et remontez-les. Remontez le joint, la lentille et la bague de lentille. Assurez-vous que tous les composants sont correctement installés après l'entretien et que la bague de l'objectif est bien fixée avant de plonger l'appareil.



LUMINAIRES DE PAYSAGE DUR - CCHL6 / CCHL12

Installation

Les Luminaires de Paysage Dur sont conçues pour être installées dans les murs et les colonnes, juste sous les pierres angulaires. La diode peut être remplacée sans retirer le cordon ou les pierres angulaires.

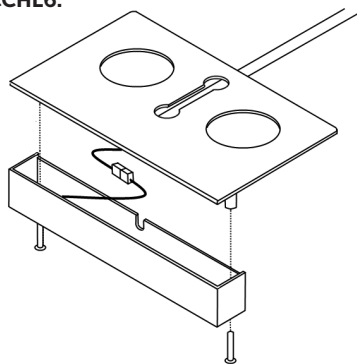
Le cordon rond de 18"/450mm de long entre le driver et le luminaire ne peut pas être coupé, et certaines dispositions doivent être prises pour supporter le pilote dans la plupart des applications. Nous recommandons d'installer un conduit de 1" dans le mur pour loger le cordon avant d'installer les luminaires. Lors de l'installation du support de montage, assurez-vous que la pierre au-dessus du support ne balance pas et ne pince pas le cordon. Les trous dans le support servent de points de collage pour maintenir le support en place.

REMARQUE: Les Luminaires de Paysage Dur ne sont pas submersibles.

Entretien

Des assemblages de diodes LED de remplacement sont disponibles pour les Luminaires de Paysage Dur. Retirez les vis de la lampe existante, en veillant à ne pas laisser tomber l'assemblage, cela risquerait de casser la fiche reliant la lampe au cordon. Abaissez la diode et pressez le clip de verrouillage pour séparer les connecteurs. Branchez le nouvel assemblage de diodes en vous assurant que le joint n'a pas bougé ni que le bord entaillé de l'assemblage de diodes s'insère entre les deux nervures du joint du cordon. Alinez les trous de vis et serrez les vis à la main.

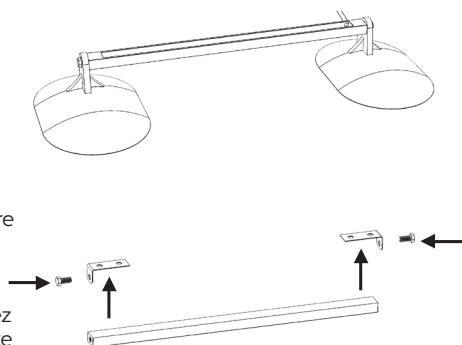
CCHL6:



LE LUMINAIRE LINÉAIRE - CCBL5

Installation

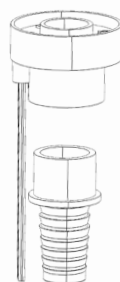
Le Luminaire Linéaire est conçue pour laver les murs, les chutes et les déversoirs avec de lumière à un angle de faisceau large. Le Luminaire en laiton massif comprend deux bases pour le positionnement sur toute surface horizontale. Pour d'autres applications, des supports en "L" en acier inoxydable (inclus) peuvent être utilisés pour monter la barre lumineuse sur toute surface dure. Montez les supports sur la lumière et mesurez entre les trous, centre à centre. Détachez les supports de la lumière. Marquez l'endroit où la lumière doit être montée et fixez les supports à la surface de montage à l'aide d'une fixation appropriée. Montez la lumière sur les supports. La lampe montée pivote de 30° dans un sens ou dans l'autre pour plus de polyvalence dans s l'orientation de l'éclairage.



LE LUMINAIRE DE FONTAINE - CCFL2

Installation

Le Luminaire de Fontaine Atlantic, recouvert d'époxy, illumine l'eau à l'intérieur des vases, des basaltes et des rochers bouillonnants. Le corps en PVC avec cordon monté en bas s'adapte à l'intérieur de raccords à douille de 1½" et d'alésages de 2". Collez le raccord barbelé de ¾" x ¾", inclus, pour fixer ¾" tuyau sans entortillement directement au luminaire. Sans le raccord, la lampe se monte directement sur du PVC Sch40 rigide de ¾".

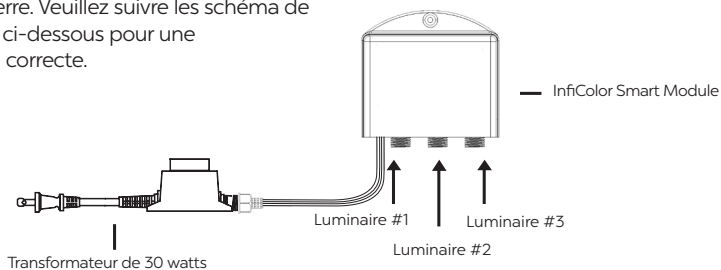


KITS DE CABLAGE - CCSM30X3

Toutes l'éclairage LED à Changement de Couleur et composants de câblage sont connectés via un branchement rapide. Les Lumières LED à Changement de Couleur ne fonctionneront pas si les fiches ne sont pas alignées correctement. Les connecteurs sont dotés d'une clé pour assurer l'alignement des connexions. Les connexions rapides à Changement de Couleur acheminent une alimentation de courant CA et DC continue au driver en ligne. L'humidité qui pénètre dans les connexions permettra aux courant CA et DC à traverser qui peut endommager le système d'éclairage.

Les branchements rapides sont munis d'un joint pour une utilisation en extérieur et doivent être serrés à fond pour empêcher l'infiltration d'eau. Les connecteurs rapides ne sont pas étanches et ne doivent pas être immergés. La graisse diélectrique est incluse et doit être utilisée dans toutes les connexions pour éliminer les infiltrations d'eau.

Le Kit de Câblage CCSM30X3 permet d'installer jusqu'à trois luminaires à Changement de Couleur (tous modèles) et de les commander à l'aide d'un seul transformateur, L'InfiColor Smart Module et application. Le transformateur doit être branché sur une prise GFCI correctement mise à la terre. Veuillez suivre les schéma de connexion ci-dessous pour une installation correcte.



TRANSFORMATEURS - TRANS88 / TRANS150

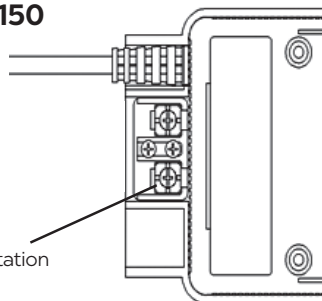
Installation

Dénudez et attachez les fils aux bornes d'alimentation de sortie située à l'arrière du transformateur. Desserrez les vis sur les bornes d'alimentation de sortie et faites glisser les fils sous les plaques à vis. Serrez les vis pour fixer les fils.

Montez le transformateur à l'emplacement souhaité. Le transformateur est résistant aux intempéries et doit être monté au-dessus du sol sur un mur ou un poteau. Vérifiez que le cordon d'alimentation est à portée d'une prise de courant équipée d'un disjoncteur de fuite à la terre correctement mise à la terre.

Une fois toutes les connexions aux lumières basse tension terminées, branchez le cordon d'alimentation en entrée dans la prise GFCI 120 volts pour terminer l'installation.

Bornes
d'alimentation
de sortie



Opération

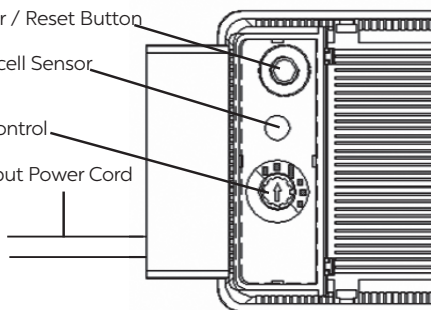
Le TRANS88 et le TRANS150 ont un panneau de commande avec un commutateur de contrôle de minuterie rotatif, une cellule photoélectrique et un bouton de disjoncteur / réinitialisation. Le disjoncteur mettra le système d'éclairage hors tension en cas de surcharge ou de surtension. Si le circuit est déclenché, inspectez / réparez le système d'éclairage et appuyez sur le bouton de réinitialisation pour rétablir le courant. La cellule photoélectrique allume automatiquement le transformateur lorsqu'il commence à faire sombre à l'extérieur. La photocellule n'a pas besoin d'être en contact avec la lumière directe du soleil; Cependant, pour fonctionner efficacement, il doit avoir accès à la lumière indirecte du soleil. La minuterie propose plusieurs modes de fonctionnement. Vous pouvez choisir OFF, ON, AUTO, 4H, 6H ou 8H.

Circuit Breaker / Reset Button

Photocell Sensor

Timer Control

Input Power Cord



OFF: La puissance de sortie est éteinte / le système est éteint

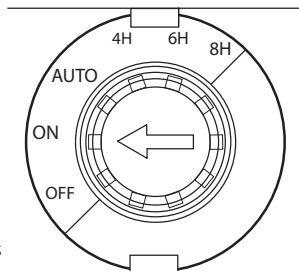
ON: la sortie est allumée / le système est allumé à tout moment

AUTO: la cellule photoélectrique allume la puissance de sortie au crépuscule et s'éteint à l'aube

4H: La cellule photo-électrique activera la sortie au crépuscule et s'éteindra après 4 heures

6H: La cellule photoélectrique allume la puissance de sortie au crépuscule et et il s'éteindra après 6 heures

8H: La cellule photoélectrique allume la puissance de sortie au crépuscule et et il s'éteindra après 8 heures



INFICOLOR SMART MODULE

Installation

L'InfColor Smart Module est résistant aux intempéries, mais doit être monté au-dessus du sol sur un mur ou un poteau à la portée d'une prise GFCI correctement mise à la terre. N'immergez pas le module et ne l'exposez pas à de fortes précipitations.

Dans le cas contraire, la garantie sera annulée.

- Installez le module dans un endroit bien ventilé pour vous assurer qu'il fonctionne à la température de fonctionnement spécifiée.
- Vérifiez que la tension d'entrée du InfiColor Smart Module est de 12V CA. Nous vous recommandons d'utiliser le transformateur fourni avec cet appareil.
- Utilisez de la graisse diélectrique sur toutes les connexions et assurez-vous que toutes les connexions des câbles sont sécurisées.
- Ne branchez pas l'alimentation avant la fin des connexions du cordon.
- Ne coupez ni ne modifiez les cordons ronds. Couper ou endommager un cordon rond annulera la garantie.

Connexion de l'Éclairage au InfiColor Module

Tout l'Éclairage de Couleurs Changeantes Atlantic est entièrement compatible avec les versions antérieures et antérieures. Le InfiColor Smart Module comprend des adaptateurs permettant de se connecter à n'importe quelle lumière SOL de Couleurs Changeantes. Les nouvelles luminaires de Couleurs Changeantes comprennent un adaptateur pour la connexion aux modules de commande, extensions et séparateurs SOL de Couleurs Changeantes.

Appliquez de la graisse diélectrique, fournie avec le InfiColor Smart Module et toutes les nouvelles luminaires, sur les broches des fiches du module et des cordons d'éclairage. Alignez les clés; les bouchons ne tiendront que dans un sens. Connectez les connecteurs à l'adaptateur et serrez la bague filetée. Terminez le processus de vissage en remuant la connexion et en resserrant la bague filetée 2 à 3 fois jusqu'à ce qu'elle soit bien en place.



COMMENT CALCULER LES WATTAGES ET FAIRE DES CONFIGURATIONS PERSONNALISÉES

L'InfiColor Smart Module fournit 40 watts à chacune des trois zones. Les zones peuvent être liées et synchronisées à volonté. Ajoutez la puissance de chaque lumière, que vous pouvez trouver dans le catalogue, l'emballage, les instructions ou sur le site Web, pour trouver la puissance totale du groupe. La puissance indiquée est la puissance maximale que la lumière va dessiner, arrondie vers le haut pour garantir que la capacité du module intelligent ne soit jamais dépassée.

Il y a aussi une limite à la longueur de tout éclairage. Le nombre de rallonges que vous pouvez utiliser consécutivement dépend de la puissance totale de la zone. Si votre puissance totale est:

- 0-10 watts - 4 rallonges max.
- 10-20 watts - 3 rallonges max.
- 20-30 watts - 2 rallonges max.
- 30-40 watts - 1 rallonge max.

APPLICATION MOBILE INFICOLOR

Pour configurer les noms de zone et les minuteries

Cliquez sur le menu déroulant. Modifiez les noms des prises ou des zones du module de commande sur la page "ZONE SETTINGS" (Paramètres de zone). Ces noms de zones seront visibles dans toute l'application. Chaque zone possède une fonction de minuterie individuelle pour activer et désactiver la zone à des heures définies. Cliquez sur le bouton "SAVE" (Enregistrer) pour enregistrer les modifications. Une boîte apparaîtra pour informer l'utilisateur que les paramètres ont été enregistrés. Cliquez sur le bouton "BACK" (Retour) une fois la configuration terminée.

Onglet “COLOR” (Couleur)

Utilisez l'onglet “COLOR” (Couleur) pour choisir les couleurs des différentes zones à l'aide du sélecteur de couleur ou des curseurs rouge, vert et bleu en bas. Choisissez la luminosité de la couleur en réglant le curseur. Sélectionnez la couleur pour chaque zone ou sélectionnez plusieurs zones pour changer de couleur en même temps.

Onglet “FAVORITES” (Favoris)

L'onglet “FAVORITES” (Favoris) stocke les séquences de changement de couleur prédéfinies. Sélectionnez une, deux ou les trois zones. Choisissez une séquence de couleurs, puis choisissez la transition entre elles, la vitesse de la séquence et la luminosité. Le bouton “EDIT” (Modifier) supprime les favoris que vous avez créés.

Onglet “CUSTOM” (Personnalisé)

L'onglet “CUSTOM” (Personnalisé) permet de créer et de stocker une séquence de changement de couleur personnalisée. Déplacez les curseurs rouge, vert et bleu pour choisir une couleur ou sélectionnez-la dans le sélecteur de couleur. Une fois que vous avez choisi la couleur, cliquez sur le bouton “+” (Plus) pour l'ajouter à la séquence. Répétez comme vous le souhaitez. Ajoutez jusqu'à 10 couleurs à une séquence. Une fois que la séquence a été créée, elle peut être nommée et sauvegardée. La séquence sauvegardée sera disponible sur la page “Favorites” (Favoris).

Garantie

Toute l'Éclairage Changement de Couleurs Atlantic bénéficie d'une garantie limitée de cinq ans.

Tous les composants de câblage bénéficient d'une garantie limitée de cinq ans.

Atlantic TRANS88 et TRANS150 bénéficient d'une garantie limitée d'un an.

Cette garantie limitée est valable uniquement pour l'acheteur d'origine à compter de la date indiquée sur le reçu d'achat original. Elle est nulle si l'une des situations suivantes s'applique:

- Le cordon a été coupé ou modifié entre le pilote et le corps de la lumière.
- Le corps de la lampe / les composants LED ont été mal utilisés ou mal utilisés.
- Le corps de la lampe / les composants LED ont été démontés ou modifiés autrement que décrit dans ce manuel.
- Le InfiColor Smart Module et les branchements rapides n'ont pas été suffisamment protégés de l'humidité par de la graisse diélectrique.

Cette garantie exclut la main-d'œuvre / le coût de la main-d'œuvre pour le retrait ou l'installation de tout produit.

Guide de dépannage

Toujours couper l'alimentation avant d'inspecter les lumières. Le non-respect de cette précaution peut entraîner un accident grave.

Avant de commander des réparations, lisez attentivement ce manuel. Si le problème persiste, contactez votre revendeur.

Problem	Possible Cause	Possible Solution
Les luminaires ne s'allument pas	Aucune alimentation d'entrée vers le transformateur	Vérifier si l'alimentation à la prise est sous tension/ vérifier le bouton de réinitialisation du disjoncteur de fuite de terre
	Pas de puissance de sortie du transformateur	Vérifier le bouton de réinitialisation/ coupe-circuit du transformateur Vérifier si le transformateur est fonctionnel en déplaçant l'heure en position ON Utiliser un voltmètre pour vérifier si le transformateur produit du courant alternatif 12 volts
	Défaillance de la photocellule	Recouvrir la photocellule d'un morceau de ruban adhésif noir afin d'en vérifier le fonctionnement
La couleur de la LED est différente de celle de la application	Connexion inadéquat entre l'éclairage à LED et le Smart Module	Inspecter le connexion/aligner la clés
	Défaillance du Smart Module	Communiquer avec le vendeur afin d'obtenir une réparation ou un remplacement
Les luminaires individuelles à l'intérieur d'un système plus grand ne fonctionnent pas	Connexion inadéquat au répartiteur à 3 sorties/ Smart Module	Inspecter le connexion/aligner les clés
	Répartiteur 3 sorties défectueux	Changer la lampe de place avec une lampe fonctionnelle, sur le même répartiteur, pour déterminer si le répartiteur cause le problème.
	Connexion lâche. Humidité ou corrosion dans les raccords	Inspecter les fiches à branchement rapide à la recherche d'humidité, de corrosion ou d'un joint d'étanchéité manquant. Nettoyer/assécher /appliquer de la graisse diélectrique et réassembler.
	Ensemble de diodes défectueuse	Utiliser si possible une ensemble de diodes LED couplée à une luminaire fonctionnelle du même modèle afin de déterminer si le driver est défectueux. Si le driver est défectueux, rechange la luminaire. Si la luminaire fonctionne, des ensemble de diodes LED de rechange sont disponibles.
Le Smart Module ne communique pas avec l'application	L'application n'est pas synchronisée avec le Smart Module	Reconnecter le Smart Module via Bluetooth
Les luminaires répondent à l'application de façon intermittente	Connexion lâche Humidité ou corrosion dans les raccords	Inspecter les fiches à branchement rapide à la recherche d'humidité, de corrosion ou d'un joint d'étanchéité manquant. Nettoyer/assécher /appliquer de la graisse diélectrique et réassembler.

Introducción

Gracias por comprar la Iluminación de Color Cambiante de Atlantic. La iluminación de Atlantic cuenta con cuerpos de latón macizo con un acabado de bronce aceitado o carcasas de plástico de alto impacto. Las luces funcionan bajo el agua y al aire libre para darle a su jardín de agua y paisaje un brillo relajante y cálido después de la puesta. Varios dispositivos se pueden conectar a un solo InfiColor Smart Module.

Antes de la operación e instalación

Precaución:

- NO use este producto en condiciones que no sean aquellas para las que está especificado. El incumplimiento de estas precauciones puede provocar descargas eléctricas, fallos del producto u otros problemas.
- Cumplir con todos los códigos eléctricos al instalar la Iluminación Atlantic.
- Para reducir el riesgo de descarga eléctrica, conecte el transformador a una toma de 120 voltios protegida por un interruptor de circuito de falla a tierra (GFCI).
- Siempre verifique que el anillo del objetivo esté seguro antes de sumergirse.
- Las Luminarias LED se conectan a través de un enchufe de conexión rápida, sellado para uso en exteriores. Los enchufes de conexión rápida no son impermeables y no deben sumergirse.
- Utilice siempre grasa dieléctrica en todas las conexiones.
- La alimentación de entrada al InfiColor Smart Module es de 12 voltios de CA.
- Nunca acorte o corte el cable de las Luces de Cambio de Color Atlantic. Quitar el controlador o cortar / acortar el cable dañará el LED y anulará la garantía.
- Los cables de extensión (modelo # CCEXT20) están disponibles para agregar 20' / 6.1m adicionales de cable a cualquier Luz.
- El InfiColor Smart Module es resistente a la intemperie, pero debe montarse por encima del suelo en una pared o poste al alcance de un interruptor de circuito por falla a tierra (GFCI) correctamente conectado a tierra. No sumerja el módulo ni lo exponga a fuertes lluvias. De lo contrario, se anulará la garantía.
- El InfiColor Smart Module se puede conectar a un sistema de iluminación de 12 voltios CA existente cortando y empalmando el cable plano de baja tensión de que suministra energía al módulo.

LAS LUCES COMPACTAS - CCCS2 / CCCS4

Instalación

Las Luces Compactas ofrecen tres opciones de montaje para su conveniencia:

- **Base ajustable:** para colocar en salientes rocosos, debajo de cascadas o para resaltar los cauces de los ríos.
- **Juego de tierra:** para ser instalado alrededor del perímetro de la fuente de agua o en jardines convencionales
- **Enclavado:** sin soporte ni estaca, entre piedras y grava.

Una buena iluminación es importante para cada proyecto. Siempre que sea posible, las lámparas deben estar orientadas lejos del área de visualización para minimizar el brillo y los puntos calientes. Al camuflar la cadena de luz con guijarros y grava, siempre deje suficiente holgura en el cable para permitir que la unidad se eleve por encima del nivel del agua para el servicio.

Mantenimiento

Conjunto de diodos LED de reemplazo, con juntas y lentes, están disponibles para las Luces Compactas. Desenchufe el aparato. Afloje el anillo de la lente de latón. Retire el anillo de la lente, la lente y la junta.

Retire con cuidado el conjunto de diodo y reemplace. Instale una nueva junta y lente de silicona y vuelva a montar. Asegúrese de que todos los componentes se hayan instalado correctamente después del servicio y que el anillo de la lente esté bien sujeto antes de sumergir el accesorio.

LA LUZ DE ANILLO - CCCL5 Instalación

La Luz de Anillo es ideal para iluminar ollas de burbujas, fuentes y cascadas que elevan el brillo. El cuerpo de latón tiene capacidad para tubos verticales de 1/2". Con el buje instalado, el orificio en el centro de la luz acomoda tubos verticales de 1". Simplemente deslice la luz sobre el tubo vertical para iluminar el interior de un jarrón o fuente desbordante. Retire el buje central para alojar tuberías verticales de 1/2". El perfil mínimo de 1/2" x 13mm de la Luz de Anillo la hace ideal para la iluminación de cascadas y árboles grandes.

LA LUZ DE CAÑO - CCSL2 Instalación

La Luminaria de Caño de Pared se puede instalar en la tubería detrás de una pared, a través de un Caño de Pared (Figura 1) o debajo de una piedra o olla perforada (Figura 2). La lámpara está diseñada para instalarse en cualquier conexión de 'T' con una rosca hembra de 1". Si la 'T' es más grande que 1", se requerirá un ajuste de reducción con una rosca hembra de 1". Instale la luz en el 'T', con la luz dirigida hacia la salida de agua. Aplique cinta o pasta de Teflón, o silicona RTV a los hilos de la luz y enrosque la luz en la conexión. No use el cable como un asa al apretar la luz para permitir que se doble al apretar.

La Luz de Caño no puede transmitir luz al escanear o alrededor de las esquinas. Debe haber un camino directo para que la luz sea transmitida. El uso de tuberías de PVC rígidas (1" de diámetro o más) es altamente recomendado para obtener mejores resultados.

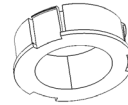
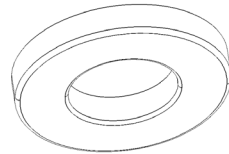
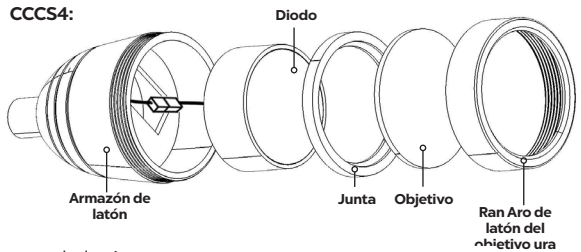
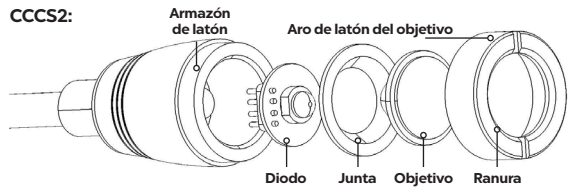


Figure 1.

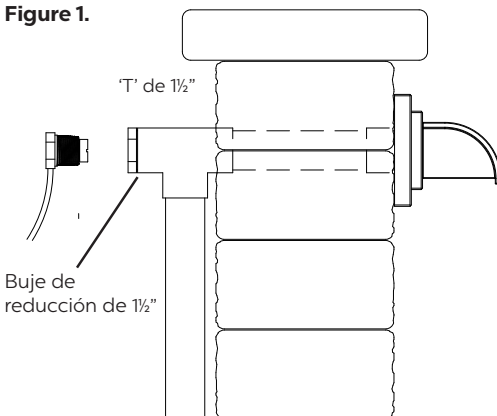
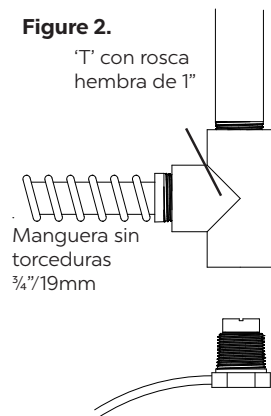
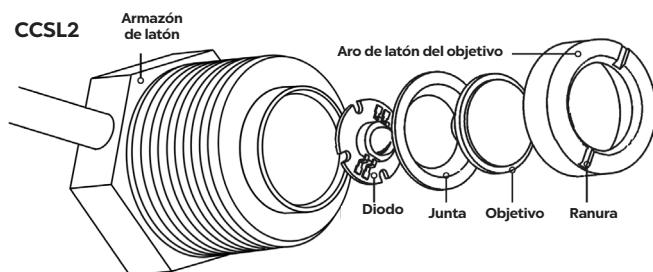


Figure 2.



Mantenimiento

Los kits de reemplazo de diodos, juntas y lentes están disponibles para las Luces de Caño. Desconecta la luminaria. Afloje el anillo de latón. Retire el anillo de la lente, la lente y la junta. Retire con cuidado el diodo y reemplácelo. Instale una nueva junta y lente de silicona y vuelva a montar. Vuelva a montar la junta, la lente y el anillo de la lente. Asegúrese de que todos los componentes estén correctamente instalados después del mantenimiento y que el anillo del objetivo esté seguro antes de sumergirse en la cámara.



LA LUZ DE PAISAJE DURO - CCHL6 / CCHL12

Instalación

Las luminarias de paisaje duro están diseñadas para instalarse en paredes y columnas, justo debajo de las piedras angulares. El diodo puede ser reemplazado sin quitar el cable o las piedras angulares.

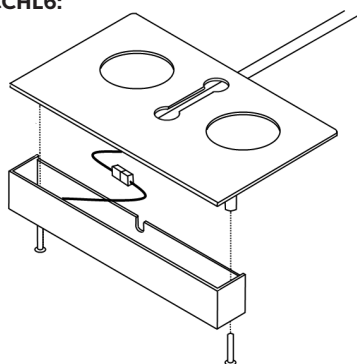
El cable redondo de 18"/450mm de largo entre el controlador y el accesorio no se puede cortar, y se deben hacer algunos arreglos para apoyar al controlador en la mayoría de las aplicaciones. Recomendamos instalar un conducto de 1" en la pared para alojar el cable antes de instalar Las luminarias. Al instalar el soporte de montaje, asegúrese de que la piedra que se encuentra sobre el soporte no se incline ni pellizque el cable. Los agujeros en el soporte sirven como puntos de pegamento para mantener el soporte en su lugar.

NOTA: Las Luces de Paisaje Duro no son sumergibles.

Mantenimiento

Hay conjuntos de diodos LED de repuesto disponibles para luminarias de paisaje duro. Retire los tornillos de la lámpara existente, teniendo cuidado de no dejar caer el conjunto, ya que podría romper el enchufe que conecta la lámpara al cable. Baje el conjunto y presione el clip de bloqueo para separar los conectores. Conecte el nuevo conjunto de diodo, asegurándose de que el sello no se haya movido o de que el borde con muesca del conjunto de diodo esté insertado entre las dos costillas del sello del cordón. Alinee los orificios de los tornillos y apriételos a mano.

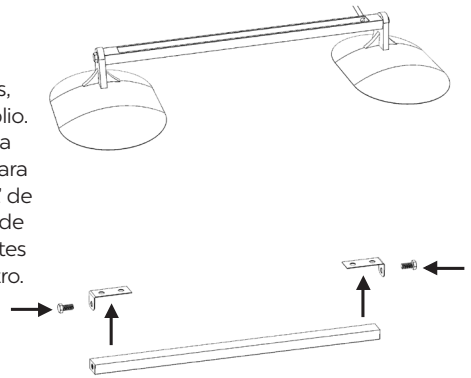
CCHL6:



LA LUZ LINEAL - CCBL5

Instalación

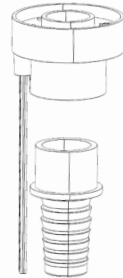
La Luz Lineal está diseñada para iluminar paredes, caídas y presas con luz en un ángulo de haz amplio. La luminaria de latón macizo tiene dos bases para posicionarse en cualquier superficie horizontal. Para otras aplicaciones, se pueden usar soportes en 'L' de acero inoxidable (incluidos) para montar la barra de luz en cualquier superficie dura. Monte los soportes a la luz y mida entre los orificios, de centro a centro. Separe los soportes de la luz. Marque el lugar donde se va a montar la luz y fije los soportes a la superficie de montaje con un sujetador adecuado. Montar la luz a los soportes. La luz montada gira 30° en cualquier dirección para mayor versatilidad en la orientación de la iluminación.



LA LUZ DE FUENTE - CCFL2

Instalación

La Luz de Fuente Atlantic, encajonada en epóxico ilumina el agua dentro de los jarrones, basaltos y piedras burbujeadas. El cuerpo de PVC con el cable montado en la parte inferior encaja en el interior de accesorios de zócalo de 1½" y orificios de 2". Pegue el accesorio de púas ¾" x ¾", incluido, para unir ¾" manguera sin torceduras directamente a la fuente de luz. Sin el accesorio, la luz se monta directamente sobre PVC rígido Sch40 de ¾".

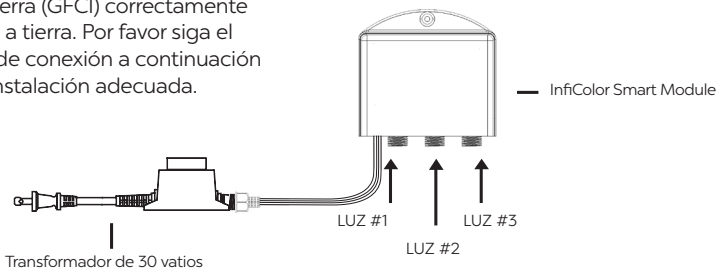


KITS DE CABLEADO - CCSM30X3

Todas las Luces LED de Color Combiante y componentes de cableado están conectados a través de un enchufe de conexión rápida. Las Luces LED de Color Combiante no funcionarán si los enchufes están alineados incorrectamente. Los conectores están codificados para asegurar que las conexiones se alineen correctamente. Los enchufes de conexión rápida que cambian de color transportan corriente CA y DC al controlador en línea. La humedad que entra en las conexiones permitirá que la corriente CA y DC a cruzar que podría dañar el sistema de iluminación.

Los enchufes de conexión rápida tienen un empaque para uso en exteriores y deben apretarse completamente para. Evitar la infiltración del agua. Los enchufes de conexión rápida no son impermeables y no deben ser sumergido. Se incluye grasa dieléctrica y debe usarse en todas las conexiones para eliminar la infiltración de agua.

El Kit de Cableado CCSM30X3 permite que hasta tres Luces LED de Color Combiante (cualquier modelo) se instalen juntas y sean controladas por un solo transformador, módulo inteligente y aplicación. El transformador debe estar enchufado en un interruptor de circuito de falla a tierra (GFCI) correctamente conectado a tierra. Por favor siga el diagrama de conexión a continuación para una instalación adecuada.



TRANSFORMADORES - TRANS88 / TRANS150

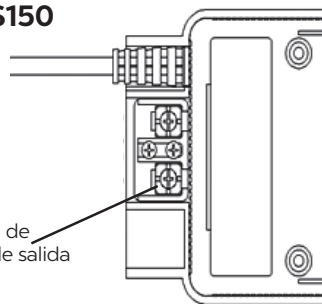
Instalación

Pele y conecte los cables a los terminales de corriente de salida en la parte posterior del transformador. Afloje los tornillos en los terminales de salida y deslice los cables en la placa de tornillo. Apriete los tornillos para asegurar las orejetas.

Monte el transformador en la ubicación deseada. El transformador es resistente a la intemperie y debe montarse sobre el suelo en una pared o poste.

Verifique que el cable de alimentación esté dentro del alcance de un receptáculo interruptor de circuito por falla a tierra correctamente conectado a tierra.

Una vez completadas todas las conexiones de bajo voltaje, conecte el cable de alimentación a la toma interruptor de circuito por falla a tierra de 120 voltios para completar la instalación.

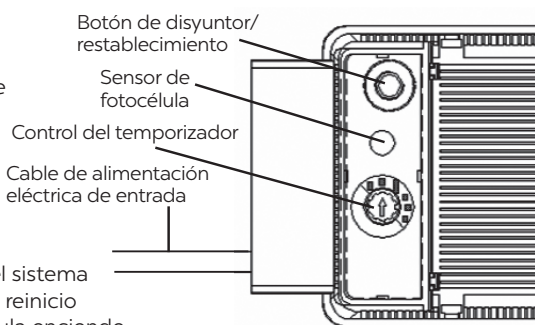


Terminales de corriente de salida

Operación

El TRANS88 y el TRANS150 tienen un panel de control con un interruptor de control de temporizador rotativo, una fotocélula y un interruptor / botón de reinicio. El interruptor de circuito apagará el sistema de iluminación en caso de sobrecarga o sobretensión. Si el circuito está desconectado, inspeccione / repare el sistema de iluminación y presione el botón de reinicio para restablecer la energía. La fotocélula enciende automáticamente el transformador cuando comienza a oscurecerse afuera. La fotocélula no necesita estar en contacto con la luz solar directa; sin embargo, para funcionar con eficacia, debe tener acceso a la luz solar indirecta. El temporizador ofrece varios modos de funcionamiento. Puede elegir OFF, ON, AUTO, 4H, 6H o 8H.

La fotocélula enciende automáticamente el transformador cuando comienza a oscurecerse afuera. La fotocélula no necesita estar en contacto con la luz solar directa; sin embargo, para funcionar con eficacia, debe tener acceso a la luz solar indirecta. El temporizador ofrece varios modos de funcionamiento. Puede elegir OFF, ON, AUTO, 4H, 6H o 8H.



Botón de disyuntor/
restablecimiento

Sensor de
fotocélula

Control del temporizador

Cable de alimentación
eléctrica de entrada

OFF: La potencia de salida está apagada / el sistema está apagado

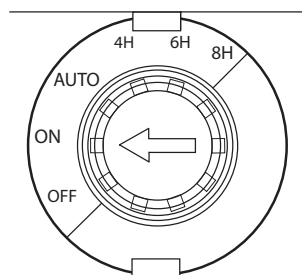
ON: la salida está encendida / el sistema está encendido en todo momento

AUTO: la fotocélula enciende la potencia de salida al atardecer y se apaga al amanecer

4H: La fotocélula activará la salida al anochecer y se apagará después de 4 horas

6H: La fotocélula activará la salida al anochecer y se apagará después de 6 horas

8H: La fotocélula activará la salida al anochecer y se apagará después de 8 horas



INFICOLOR SMART MODULE

Instalación

El InfiColor Smart Module es resistente a la intemperie, pero debe montarse por encima del suelo en una pared o poste al alcance de un interruptor de circuito por falla a tierra (GFCI) correctamente conectado a tierra. No sumerja el módulo ni lo exponga a fuertes lluvias. De lo contrario, se anulará la garantía.

- Instale el módulo en un área bien ventilada para asegurarse de que el módulo funciona dentro de su temperatura de trabajo especificada.
- Verifique que el voltaje de entrada del Smart Module sea de 12V CA. Recomendamos que use el transformador provisto con esta unidad.
- Utilice grasa dieléctrica en todas las conexiones y asegúrese de que todas las conexiones de los cables estén seguras.
- No conecte la alimentación antes de que finalicen las conexiones del cable.
- No corte ni altere ningún cordón redondo. Cortar o dañar cualquier cable redondo anulará la garantía.

Conectando La Iluminacion al Smart Module

Toda la Iluminación de Cambio de Color del Atlántico es totalmente compatible con versiones anteriores y posteriores. El InfiColor Smart Module incluye adaptadores para conectarse a cualquier luz de cambio de color SOL. Las nuevas luces de cambio de color incluyen un adaptador para conectarse a los módulos de control de cambio de color SOL, extensiones y divisores.

Aplique grasa dieléctrica, incluida con el InfiColor Smart Module y todas las luces nuevas, a las clavijas de los enchufes del Módulo y los cables de luz. Alinea las teclas; los enchufes solo cabrán de una manera. Conecte los enchufes al adaptador y apriete el anillo roscado. Complete el proceso de apriete moviendo la conexión y volviendo a apretar el anillo roscado 2-3 veces hasta que esté firmemente asentado.



Cómo Calcular Los Vatajes y Hacer Configuraciones Personalizadas

El InfiColor Smart Module proporciona 40 vatios a cada una de las tres zonas. Las zonas se pueden enlazar y sincronizar como se desee. Sume la potencia en vatios de cada luz, que se puede encontrar en el Catálogo, el embalaje, las instrucciones o el sitio web, para encontrar la potencia total del grupo. El vataje que se muestra es el vataje más alto que dibujará la luz, redondeado para garantizar que nunca se exceda la capacidad del módulo inteligente.

También hay un límite a la duración de cualquier ejecución de iluminación. El número de cables de extensión que puede usar consecutivamente depende de la potencia total de la zona. Si su vataje total es:

- 0-10 vatios - 4 cables de extensión máx.
- 10-20 vatios - 3 cables de extensión máx.
- 20-30 vatios - 2 cables de extensión máx.
- 30-40 vatios - 1 cable de extensión máx.

APP MÓVIL INFICOLOR

Para configurar nombres de zonas y temporizadores

Haga clic en el menú desplegable. Edite los nombres de las salidas o zonas del módulo de control en la página "ZONE SETTINGS" (Configuración de zona). Estos nombres de zona serán visibles en toda la aplicación. Cada zona tiene una función de temporizador individual para activar y desactivar la zona a horas fijas. Haga clic en el botón "SAVE" (Guardar) para guardar los cambios. Aparecerá un cuadro para notificar al usuario que la configuración se ha guardado. Haga clic en el botón "BACK" (Atrás) una vez que haya completado la configuración.

Pestaña "COLOR"

Use la pestaña "COLOR" para elegir colores para las diferentes zonas usando el selector de color o los controles deslizantes rojo, verde y azul en la parte inferior. Elija el brillo del color ajustando el control deslizante. Seleccione el color para cada zona o seleccione varias zonas para cambiar de color al mismo tiempo.

Pestaña “FAVORITES”

La pestaña “FAVORITES” (Favoritos) almacena secuencias de cambio de color predeterminadas. Seleccione una, dos o las tres zonas. Elija una secuencia de colores, luego elija la transición entre ellos, la velocidad de la secuencia y el brillo. El botón “EDIT” (Editar) elimina los favoritos almacenados que ha creado.

Pestaña “PERSONALIZE”

La pestaña “PERSONALIZE” (Personalizar) le permite crear y almacenar una secuencia de cambio de color personalizada. Mueva los controles deslizantes rojo, verde y azul para elegir un color, o selecciónelo en el selector de color. Una vez que haya decidido el color, haga clic en el botón “+” (Más) para agregarlo a la secuencia. Repita según lo deseado. Agrega hasta 10 colores a una secuencia. Una vez que la secuencia ha sido creada, puede ser nombrada y guardada. La secuencia guardada estará disponible en la página “FAVORITES” (Favoritos).

Garantía

Toda la Iluminación de Color Combiante de Atlantic tiene una garantía limitada de cinco años. Todos los componentes del cableado están cubiertos por una garantía limitada de cinco años. Atlantic TRANS88 y TRANS150 tienen una garantía limitada de un año.

Esta garantía limitada es válida solo para el comprador original a partir de la fecha indicada en el recibo de compra original. Es nulo si se aplica alguna de las siguientes situaciones:

- El cable ha sido cortado o modificado entre el conductor y el cuerpo de la luz.
- El cuerpo de la luz / componentes del LED han sido mal utilizados o mal utilizados.
- El cuerpo de la luz / componentes del LED se han desarmado o modificado de manera diferente a descrito en este manual.
- El InfiColor Smart Module y las conexiones rápidas no se han protegido adecuadamente de la humedad con grasa dieléctrica.

Esta garantía excluye los costos de mano de obra / mano de obra para la eliminación o instalación de cualquier producto.

Guía de solución de problemas

Desconecte siempre la alimentación eléctrica antes de inspeccionar las luces con cambio de color. El incumplimiento de esta precaución puede provocar un accidente grave.

Antes de solicitar reparaciones, lea este folleto de instrucciones detenidamente. Si el problema persiste, comuníquese con el distribuidor.

Problem	Possible Cause	Possible Solution
Las luces no se encienden	No hay alimentación eléctrica de entrada al transformador	Verifique que haya alimentación eléctrica hacia el tomacorriente/Revise el botón de restablecimiento del interruptor de circuito de falla a tierra (GFCI)
	Sin potencia de salida del transformador	Revise el botón de restablecimiento/disyuntor del transformado Verifique si el transformador funciona: Lleve el interruptor de tiempo a la posición ON (Encendido) Utilice un voltímetro para verificar si el transformador está produciendo 12V CA
	Mal funcionamiento de la fotocélula	Cubra la fotocélula con un trozo de cinta adhesiva oscura para verificar si funciona

Problem	Possible Cause	Possible Solution
Las luces no se apagan	Control del temporizador	Asegúrese de que el control del temporizador no esté colocado en la posición ON (Encendido)
	La fotocélula está tapada	Limpie el sensor y la tapa transparente exterior Asegúrese de que no haya nada que le dé sombra al sensor
El color de las LED difiere del aplicación	Conexión incorrecta entre la luz LED y el Smart Module	Inspeccionar la conexión y alinear las claves en los enchufes
	Falla del controlador	Comuníquese con el distribuidor para reparación o reemplazo
Las luces individuales dentro de un sistema más grande no están funcionando	Conexión incorrecta al divisor de 3 salidas o al Smart Module	Inspeccionar la conexión y alinear las claves en los enchufes
	El divisor de 3 salidas es defectuoso	Cambie posiciones con una luz que funcione en el mismo divisor para identificar si el divisor está causando el problema.
	Conexión suelta debido a humedad o corrosión en las conexiones	Inspecciones los enchufes de conexión rápida para saber si hay humedad, corrosión o si falta una junta. Limpie, seque, aplicar grasa dieléctrica y vuelva a armar.
	Conductor fallado	De ser posible, cambie el conductor por otro de una luz que funcione del mismo modelo para determinar si el conductor ha fallado. Hay conductores de reemplazo disponibles.
	Conjunto de diodos LED fallado	De ser posible, cambie conjunto de diodos LED por otro de una luz que funcione del mismo modelo para determinar si el conductor ha fallado. Hay conjunto de diodos LED de reemplazo disponibles.
El Smart Module no está respondiendo al aplicación	Aplicación no está sincronizado con el Smart Module	Reconecte el Smart Module por Bluetooth
Las luces responden intermitentemente al aplicación	Conexión suelta debido a humedad o corrosión en las conexiones	Inspecciones los enchufes de conexión rápida para saber si hay humedad, corrosión o si falta una junta. Limpie, seque, aplicar grasa dieléctrica y vuelva a armar.



1.330.274.8317

www.ATLANTICWATERGARDENS.com