



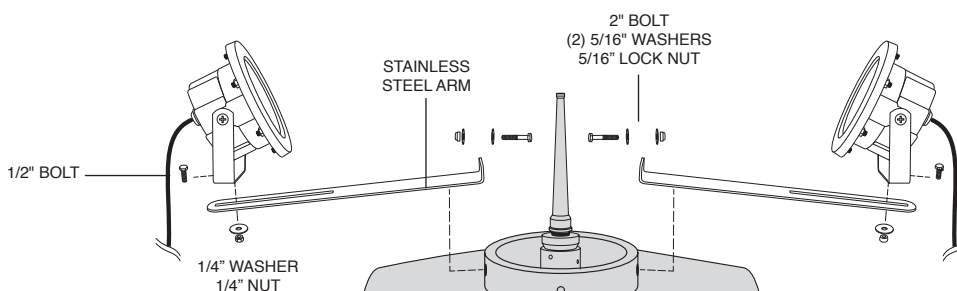
Residential Grade LED Light Kit

For 2 Lights



Assembly Instructions

1. Attach each light to the slotted end of the stainless steel arms. Be sure to orient the arms with "L" facing upward. Feed 1/2" x 1/4" bolt and washer downward through each light bracket and steel arm then secure with washer and 1/4" lock nut. The lights can be positioned along the arm by loosening the lock nut, sliding the light to the desired position, then re-tightening the nut.
2. Continue by attaching each arm assembly to the water feature. Remove one of the 2" bolts attaching the float to your Scott water feature and align the holes with the stainless steel arm. Reinsert the bolt with washer, outward through the housing, float and stainless steel arm. Secure with washer and nut. Repeat for each arm assembly.
3. Loosen the connection screws on the transformer and insert 2 bare wire ends to the controller, making sure there are no loose wires that may short across the two connection points. Tighten screws.
4. Transformer is fully weatherproof, but must remain on shore and can be simply hung on a screw affixed to a vertical post or exterior wall at the power outlet.

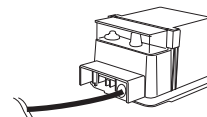
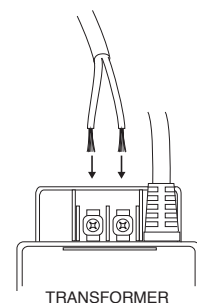
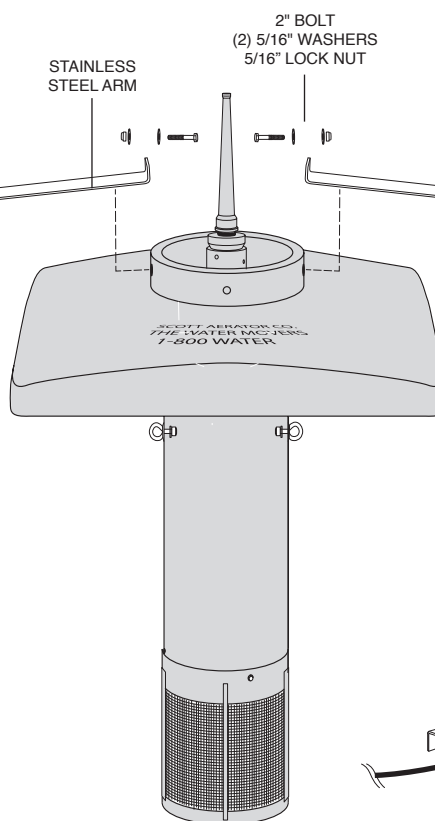


This Kit Includes

- (2) LIGHTS AND POWER CABLE
- (2) 1/2" BOLTS, 1/4" WASHERS AND NUTS
- (2) STAINLESS STEEL ARMS
- 1 WEATHERPROOF TRANSFORMER
- POWER SUPPLY CORD

Tools Needed

- PHILLIPS STYLE SCREW DRIVER
- 7/16" AND 1/2" WRENCHES AND PLIERS



! Always use a GFCI
Always disconnect the power
when swimmers are present



Automate your lighting

Transformer has a built in photo eye that automatically turns the lights on at dusk, and a timer that runs for 4, 6, or 8 hours before turning the lights off.

Automate your lighting and fountain

For individual control of both the fountain and lighting, our 115v/230v timing center provides two timers in one. Call or visit our website for details.



The Scott Aerator Awesome Warranty

All standard Scott Aerator products are unconditionally warranted for five years against motor defects in materials or workmanship, under normal operating conditions. All other product components are warranted for one year from date of purchase. Scott Aerator will repair or replace failed parts under warranty when the defective unit is returned to the factory, shipping prepaid, and factory inspection establishes that the part was defective. The unit must be returned to the factory prior to shipment of replacement parts. All parts replaced under this warranty will be returned with shipping prepaid. Scott Aerator will not be liable for consequential damage nor for any costs associated with removal or attempts to repair components in the field.



13245 Barry Street, Holland, MI 49424

scottaerator.com

information@scottaerator.com

800-WATER-45 (800-928-3745)

(616) 392-8882

